

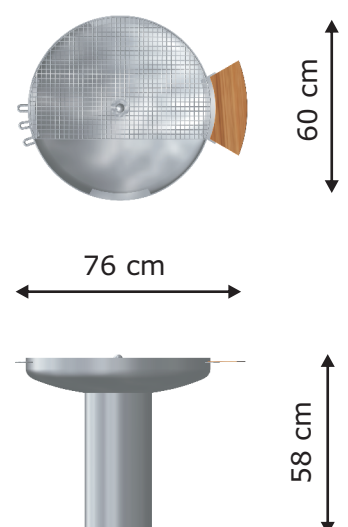
1

14600

LARS LAJ<sup>®</sup>

## OUTDOOR FURNITURE

Product name: Grill  
Catalogue number: 14600  
Dimensions: 60x76 cm  
Total height: 58 cm  
Requires falling surface: NO  
Spare parts available: YES



Top and side view in scale 1:100

**PRODUCT DATA**

**Product name:** Grill  
**Catalogue No.:** 14600  
**Product type:** OUTDOOR  
FURNITURE  
**Critical Falling Height:** - cm  
**Dimensions:** 60x76 cm  
**Safety Zone:** - cm  
**Age Level:** - years

**COMPANY DATA**

**Name:** \_\_\_\_\_  
**Address:** \_\_\_\_\_  
**Zip code/city:** \_\_\_\_\_  
**Place:** \_\_\_\_\_  
**Phone:** \_\_\_\_\_  
**Fax:** \_\_\_\_\_  
**Email:** \_\_\_\_\_

**Product Photo/Picture****OWNERS DATA**

**Name:** \_\_\_\_\_  
**Contact:** \_\_\_\_\_  
**Address:** \_\_\_\_\_  
**Zip code/city:** \_\_\_\_\_  
**Place:** \_\_\_\_\_  
**Phone:** \_\_\_\_\_  
**Fax:** \_\_\_\_\_  
**Email:** \_\_\_\_\_

**AREA DATA**

**Placing:** \_\_\_\_\_  
**Address:** \_\_\_\_\_  
**Zip code/city:** \_\_\_\_\_  
**Place:** \_\_\_\_\_  
**Playground name:** \_\_\_\_\_  
**Product number:** \_\_\_\_\_

**ADMINISTRATOR DATA**

**Name:** \_\_\_\_\_  
**Contact:** \_\_\_\_\_  
**Address:** \_\_\_\_\_  
**Zip code/city:** \_\_\_\_\_  
**Phone:** \_\_\_\_\_  
**Fax:** \_\_\_\_\_  
**Email:** \_\_\_\_\_

**SURFACE**

**Material:** \_\_\_\_\_  
**Dimensions:** \_\_\_\_\_  
**Underground:** \_\_\_\_\_  
**Supplier:** \_\_\_\_\_  
**Buying date:** \_\_\_\_\_  
**Installation:** \_\_\_\_\_  
**Guarantee:** \_\_\_\_\_

# OUTDOOR FURNITURE

